



JILONG
Since 1993

KL-360T

Backbone Optical Fusion Splicer



6s
splicing



16s
heating



0.01dB
average loss



Tool-less
electrodes replacement



Automatic
welding heating

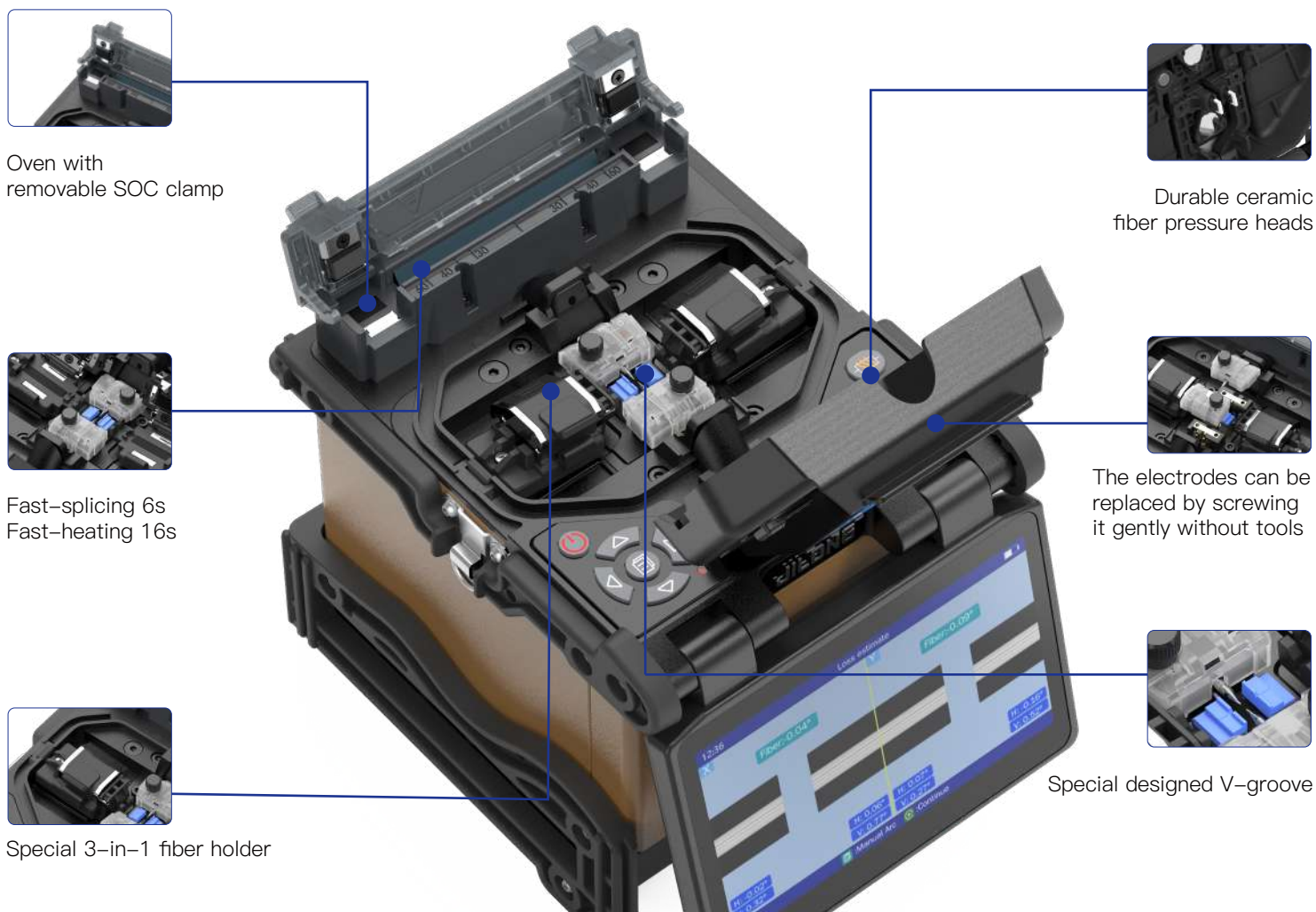


Fiber
core visible

Features Description

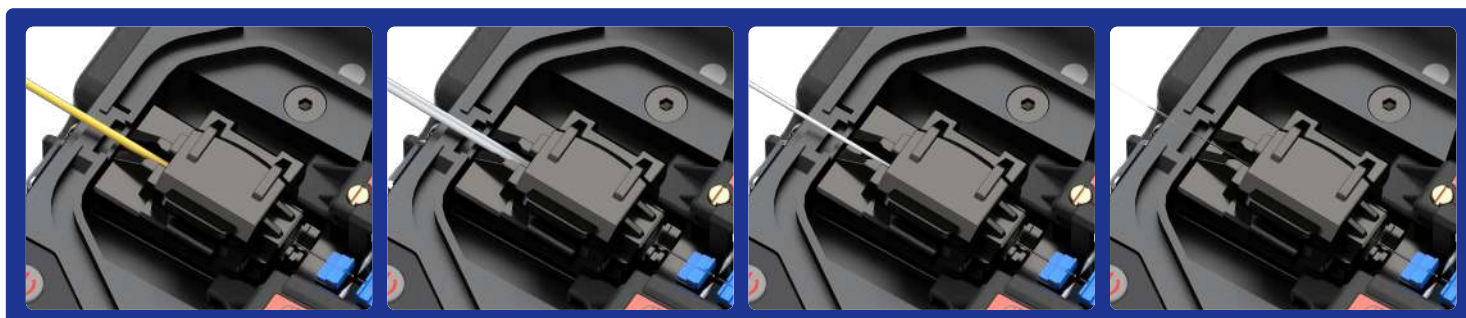
- 5" 800x480 HD screen
- X, Y, XY, X/Y : 320X Magnification
- Suitable for SM/MM/DS/NZDS/BIF single core fiber
- Average splicing loss: 0.01dB
- Compact, light weight & faster
- Fast-splicing 6s, fast-heating 16s
- Electrodes life: 5000 times
- 3-in-1 fiber holder
- The last 10,000 splice records and 2,000 result images
- 5200mAh battery capacity, 300 times splice & heat cycles

Main Features



3-IN-1 Fiber Holder

Fiber holder suitable for bare fiber/3.0mm jump fiber/pigtail fiber/FTTH fiber



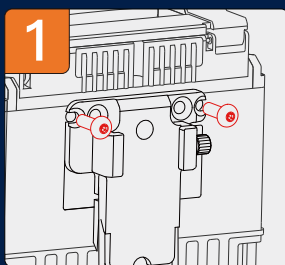
High Expansibility fiber optic cleaver operating platform design

Support the placement of cleaver operating platform, do cleaving and splicing work in one step

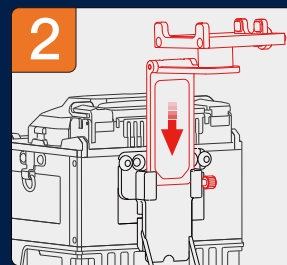
(The console needs to be bought separately)



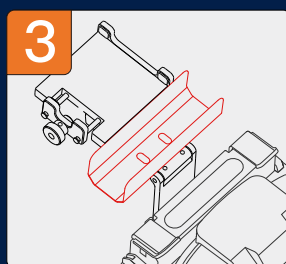
Installation instructions of fiber optic operating platform



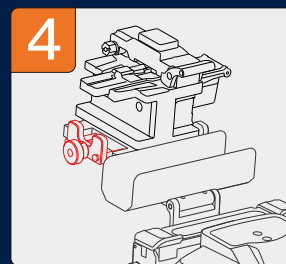
1 Use the screw to fix the base



2 Insert into the base and tighten



3 Place the cooling tray



4 Fix the cleaver with the screw

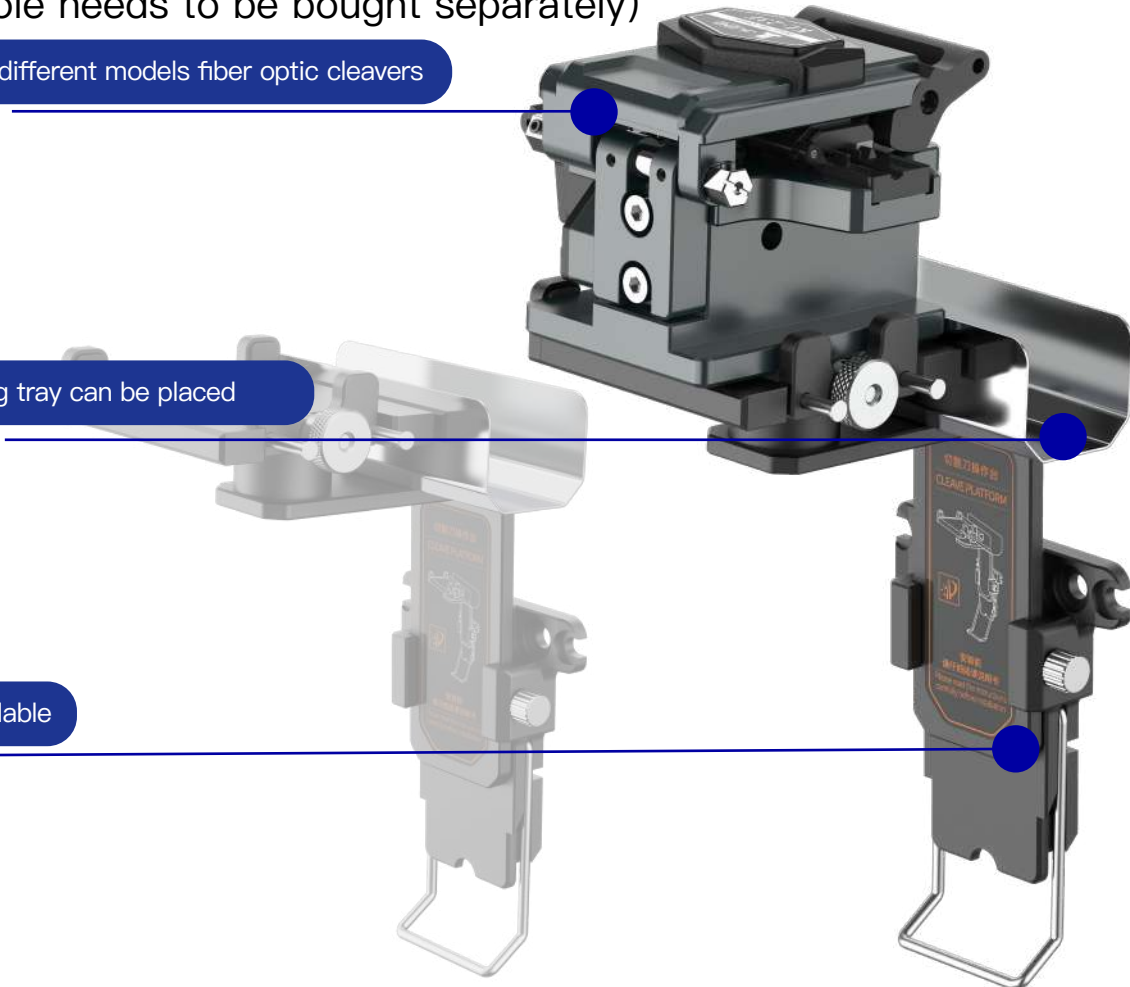
Introduction of fiber optic cleaver operating platform

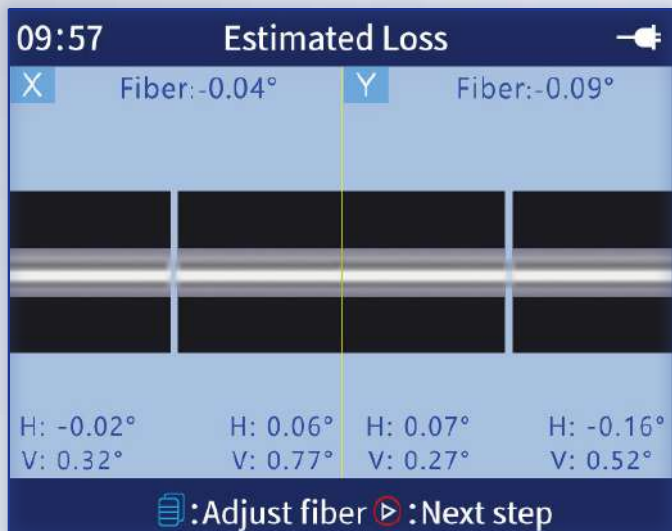
(The console needs to be bought separately)

Suitable for different models fiber optic cleavers

Cooling tray can be placed

Highly scalable





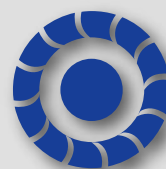
Fast-splicing 6s



Fast-heating 16s



300
splice & heat cycles



6 motors



5200mAh
battery capacity



Specification

Splice Method	Core Alignment
Applicable Fibers	SM(ITU-T G.652&G.657) / MM(ITU-T G.651) / DS(ITU-T G.653) / NZDS(ITU-T G.655)
Compatible Fiber/Cable	0.25~3.0 mm / indoor cable
Fiber Holder	Replaceable (Universal: FH-60, SOC Holder: FH-SOC(optional))
Fiber Diameter	Cladding: 80~150µm, Coating: 100~1000µm
Fiber Cleave Length	8~16 mm
Splice mode	Max 128 modes
Typical Splice Loss	SM: 0.02dB / MM: 0.01dB / DS: 0.04dB / NZDS: 0.04dB / G.657: 0.02dB ★①
Return Loss	>>60dB
Splicing Time	SM Quick mode : 6 sec / SM Average: 16 Sec.
Estimated Splice Loss	Available
Heating Time	Quick mode 16 sec.(SM G652 250µm 40mm Sleeve) adjustable
Protection Sleeve Length	20mm, 30mm, 40mm, 50mm, 60mm
Heat Programs	Max 32 modes
Battery	5200mAh Battery Capacity, Typical 300 Cycles (Splice&Heat) per Charge ★②
Electrode Life	5000 arcs, can be extended by using an electrode grinder ★③
Auto-start	Splice / Heating
Automatic Fiber Identification	/
Automatic ARC Identification	Automatic arc calibration by air pressure and temperature
Results Storage	The last 10,000 splice records and 2,000 result images
Tension Test	1.96~2.25N
Operating Condition	Altitude: 0~5000m, 0~95% relative humidity, -20~50°C, Max Wind 15m/s
Storage Condition	0~95% relative humidity, -20~60°C
Display	5.0" color high resolution (800 x 480) display
Fiber Magnification	X, Y, XY, X/Y : 320X Magnification
Power Supply	AC Input 100~240V, DC Input 9~14V
Terminal	USB2.0
Weight	1.6kg without battery / 1.9kg with battery
Size	138H x 160W x 150D mm (including rubber bumper)

★① With identical fibres(in room temperature). Measured by cut-back method relevant to ITU-T and IEC standards.

★② Splice & Heat cycles may vary depending on the battery status and the operating environment.

★③ Electrode life may vary depending on the operating environment.

Product Display



Packing List

- ① KL-23Fiber optic cleaver
- ② Carry bag (Including Suspenders & belts)
- ③ FOCW Cleaning wipes(box)
- ④ Splicing protector sleeves (piece)
- ⑤ Alcohol bottle
- ⑥ 3-hole fiber stripper
- ⑦ Drop cable stripper
- ⑧ Fusion splicer
- ⑨ Power charger
- ⑩ Cooling Tray



Contact us

HEAD OFFICE: Nanjing Jilong Optical Communication Co., Lt
 Add: Room 401-402, Building 14-1, Xingzhihui Business Garden,
 No.19 Xinghuo Road, Pukou District Nanjing, Jiangsu, 210032, China
 Web: www.JILONGOT.com
 Mail: info@jilongot.com
 TEL: +86 25 58880885



Focus on official website for more